

57 / OPMI VISU 160

## OPMI VISU 160

Stay Flexible



We make it visible.

## OPMI VISU 160

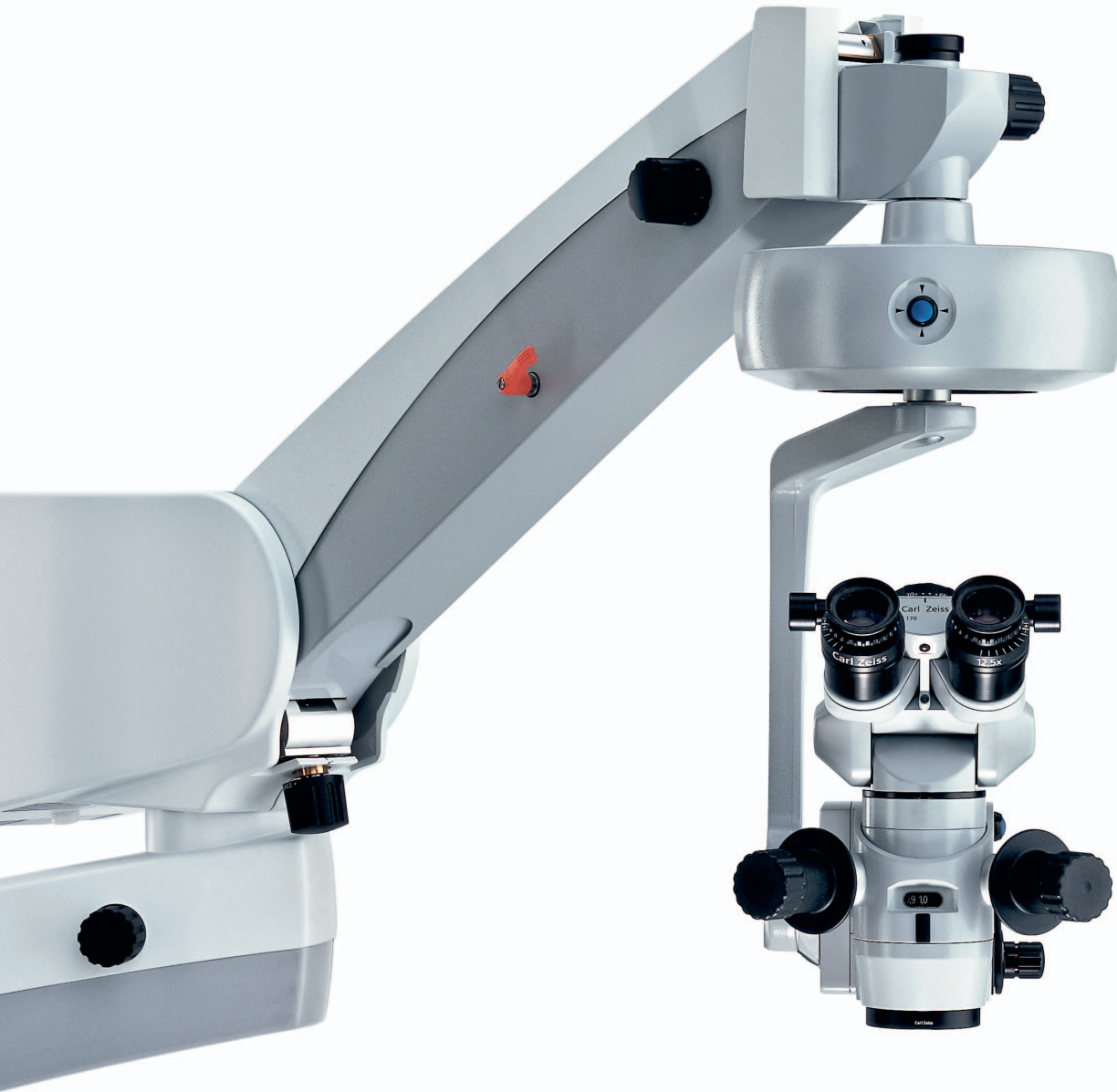
### As Multifaceted as the Challenges of Ophthalmic Surgery

OPMI VISU® 160 was designed specifically for hospitals that perform a broad spectrum of ophthalmic surgical procedures.

The versatile configuration and accessory options are tailored to meet the needs of the surgeon:

- DeepView function, the depth of field management system that allows you to choose between optimized depth perception or maximum light transmission.
- Integrated slit illumination for true retro-illumination during lens extraction.
- Ergonomic handgrips for precise positioning.
- Apochromatically corrected optics.
- With BrightFlex illumination, consisting of 2° and fading 6° illumination, for a clear red reflex and good light conditions.
- Extensive array of accessory options, such as co-observation, video and digital recording/editing systems.





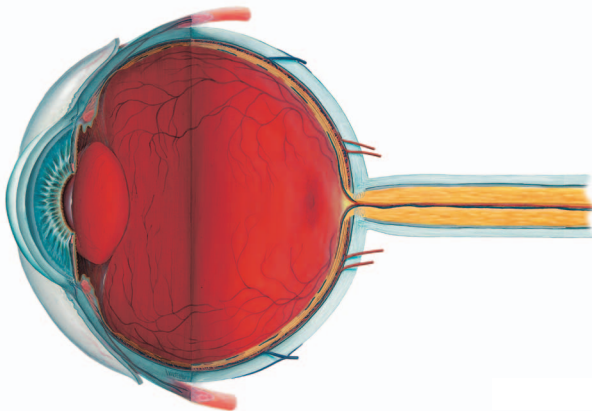
## DeepView

### You're in Control

DeepView is a feature, offering both versatility and total control.

At the push of a button, the surgeon chooses what type of view will be seen through the microscope.

Activate DeepView for maximum depth perception at all magnification levels. Deactivate DeepView for a bright and clear resolution even at low light intensities.



© 3B Scientific, 1995



## The Versatility of the OPMI VISU 160

The S7 floorstand, winner of the prestigious European red dot award for design quality, and its counterpart, the S7 ceiling mount.

### **Floorstand vs. Ceiling Mount**

Which of the two is a better fit depends on your personal requirements and how much space is available in your operating room. One feature, however, is common to both: the extraordinary reach of the S7 arm (120 cm radius).

### **Custom fit**

Easily adjust the speed of the zoom, focus and X-Y movements to your requirements. Your settings are automatically saved. Changes during the procedure? As easy as the touch of a button!

### **Efficiency is within reach**

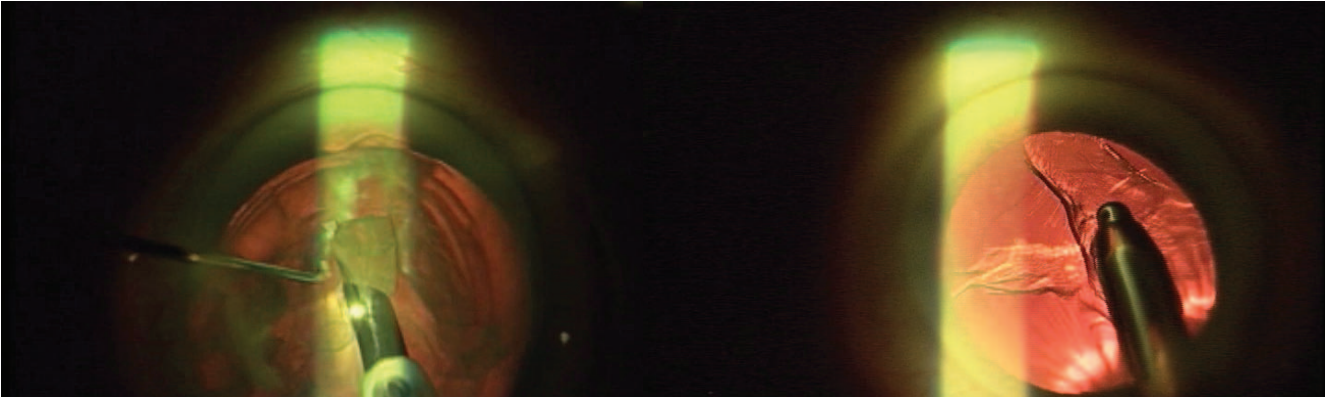
Operating room personnel can easily position the surgical microscope. The suspension arm can be effortlessly moved and reliably secured.

### **Details that matter**

An operation should never be interrupted because of a burned-out bulb. Main halogen light suddenly burns out? The S7 system automatically switches to the back-up bulb.

# Seeing is Believing

## Another Fresh Perspective



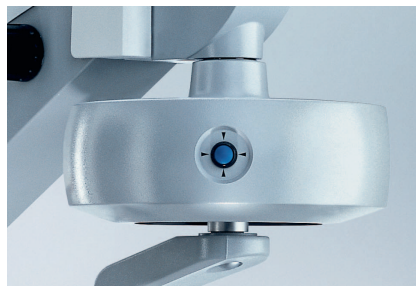
Images: Joseph F. Gravlee, Jr., M.D., Fairhope, AL, USA

### Integrated Slit Illumination

OPMI VISU 160 is equipped with integrated slit illumination. This innovative feature offers a contrast-rich detail recognition. It provides for example, a true retro-illumination during lens extraction.



Stereo co-observation



X-Y coupling



Video equipment

### Four eyes are better than two

The stereo co-observation tube; the flexible viewing solution for assistants and students.

### Easy motion in focusing plane

An optional X-Y coupling enables guided movement in X-Y plane. The push of a button returns both the X-Y coupling and focus to their original starting position.

### For picture-perfect documentation

Carl Zeiss provides video cameras for a wide range of requirements and budgets, from 1 chip cameras to 3 Chip HD Camera System with apochromatic video optics

# S7 / OPMI VISU 160 by the numbers

## Technical specifications

### Surgical microscope

Apochromatic optics with T\* anti-reflex multi-coating

Motorized zoom system. Zoom ratio 1:6,  $\gamma=0.4$  to 2.4

Focusing range: 50 mm

DeepView: Depth of field management system

### X-Y coupling

Adjustment range 40 mm x 40 mm

### Illumination

BrightFlex™ illumination: ■ 6° illumination, continuous fading; ■ +2° illumination for red reflex

Integrated slit illumination

Vertical: width 2.5 mm

Horizontal: width 2.5 mm and 5 mm, movable

Integrated 408 nm UV cut-off filter

Swing-in GG475 filter to reduce blue portion

Swing-in KK40 daylight filter in suspension system

Scleral glare reduction filter

Fiber light guide

Halogen light source (12 V, 100 W)

Automatic exchange following bulb failure

Optional: swing-in fluorescence filter in suspension system

### Optical systems

Objective lens (mm)	f=200 mm	f=175 mm	f=200 mm	f=175 mm
Eyepiece	10x	10x	12.5x	12.5x
Total magnification*	3.4x – 20.4x	3.9x – 23.3x	4.3x – 25.5x	4.9x – 29.1x
Field of view diameter*	10.0 mm – 60.6 mm	8.8 mm – 53.0 mm	8.6 mm – 51.8 mm	7.5 mm – 45.3 mm

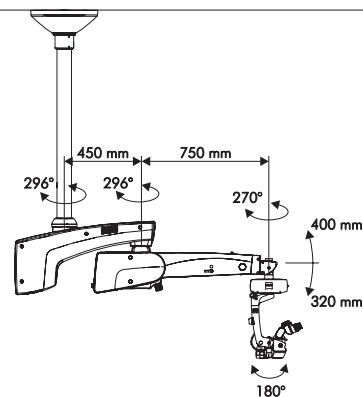
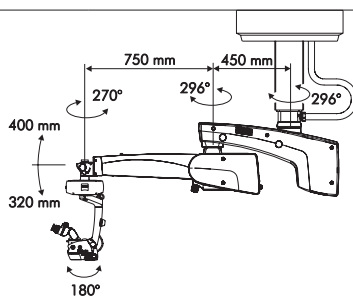
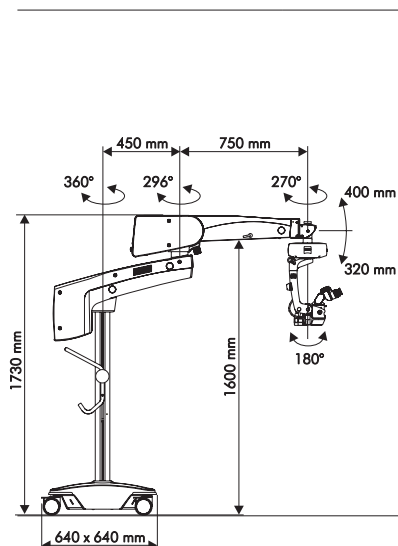
\* rounded

### Suspension systems

S7 / OPMI VISU 160 floorstand

S7 / OPMI VISU 160  
ceiling mount with lifting column

S7 / OPMI VISU 160  
ceiling mount with rigid column



The moment innovation and passion  
lead to the best vision for your patient.  
**This is the moment we work for.**



// OPHTHALMIC SOLUTIONS  
MADE BY CARL ZEISS

**Your local contact:**

**Argentina**

Carl Zeiss Argentina S.A.  
Calle Nahuel Huapi 4015 / 25  
C1430 BCO Buenos Aires  
Argentina  
Phone: +54 11 45 45 66 61  
bruzzi@zeiss.com.ar

**Australia**

Carl Zeiss Pty Ltd  
Tenancy Office 4, Level 1  
40-52 Talavera Road  
North Ryde NSW 2113  
Australia  
Phone: +61 2 9020 1333  
med@zeiss.com

**Austria**

Carl Zeiss GmbH  
Laxenburger Str. 2  
1100 Vienna  
Austria  
Phone: +43 1 79 51 80  
austria@zeiss.org

**Belgium**

Carl Zeiss NV-SA  
Ikaroslaan 49  
1930 Zaventem  
Belgium  
Phone: +32 2 719 39 11  
info@zeiss.be

**Brazil**

Carl Zeiss do Brasil Ltda.  
Av. Nações Unidas, 21711  
CEP04795-100 São Paulo  
Brazil  
Phone: +55 11 5693 5521  
medbrasil@zeiss.org

**Canada**

Carl Zeiss Canada Ltd.  
45 Valleybrook Drive  
Toronto, ON M3B 2S6  
Canada  
Phone: +1 800 387 8037  
czcmed@zeiss.com

**China**

Carl Zeiss Shanghai Co. Ltd.  
1/f., Ke Yuan Building  
11 Ri Yin Nan Road  
Waigaoqiao Free Trade Zone  
2005 Yang Gao Bei Road  
Shanghai 200131  
China  
Phone: +86 21 5048 17 17  
sro@zeiss.com.cn

**Czech Republic**

Carl Zeiss spol. s.r.o.  
Radlická 14/3201  
150 00 Prague 5  
Czech Republic  
Phone: +420 233 101 221  
zeiss@zeiss.cz

**France**

Carl Zeiss Meditec France SAS  
100, Route de Versailles  
CS 30502  
78161 Marly-le-Roi Cedex  
France  
Phone: +33 1 34 80 21 00  
med@zeiss.fr

**Germany**

Carl Zeiss Meditec VG mbH  
Carl-Zeiss-Strasse 22  
73447 Oberkochen  
Germany  
Phone: +49 7364 20 6000  
vertrieb@meditec.zeiss.com  
Surgical Ophthalmology:  
Phone: +49 800 470 50 30  
iol.order@meditec.zeiss.com

**Hong Kong**

Carl Zeiss Far East Co. Ltd.  
Units 11-12, 25/F  
Tower 2, Ever Gain Plaza  
No. 88 Container Port Road  
Kwai Chung  
Hong Kong  
Phone: +852 2332 0402  
czfe@zeiss.com.hk

**India**

Carl Zeiss India Pvt. Ltd.  
Plot No.3, Jigani Link Road  
Bommasandra Industrial Area  
Bangalore - 560 099  
India  
Phone: +91 80 4343 8000  
info@zeiss.co.in

**Italy**

Carl Zeiss S.p.A.  
Viale delle Industrie 20  
20020 Arese (Milan)  
Italy  
Phone: +39 02 93773 1  
infomed@zeiss.it

**Japan**

Carl Zeiss Meditec Japan Co. Ltd.  
Shinjuku Ku  
Tokyo 160-0003  
22 Honchio-Cho  
Japan  
Ophthalmic instruments:  
Phone: +81 3 33 55 0331  
medsales@zeiss.co.jp  
Surgical instruments:  
Phone: +81 3 33 55 0341  
cmskoho@zeiss.co.jp

**Malaysia**

Carl Zeiss Sdn Bhd.  
Lot2, Jalan 243/51 A  
46100 Petaling Jaya  
Selangor Darul Ehsan  
Malaysia  
Phone: +60 3 7877 50 58  
malaysia@zeiss.com.sg

**Mexico**

Carl Zeiss de México S.A. de C.V.  
Avenida Miguel Angel de Quevedo  
496  
04010 Mexico City  
Mexico  
Phone: +52 55 59 99 0200  
cz-mexico@zeiss.org

**Netherlands**

Carl Zeiss B.V.  
Trapezium 300  
Postbus 310  
3364 DL Sliedrecht  
Netherlands  
Phone: +31 184 43 34 00  
info@zeiss.nl

**New Zealand**

Carl Zeiss (N.Z.) Ltd.  
15B Paramount Drive  
P.O. Box 121 - 1001  
Henderson, Auckland 0650  
New Zealand  
Phone: +64 9 838 5626  
med@zeiss.com

**Poland**

Carl Zeiss sp. z o.o.  
ul. Lopuzanska 32  
02-220 Warsaw  
Poland  
Phone: +48 22 858 2343  
medycyna@zeiss.pl

**Singapore**

Carl Zeiss Ptd. Ltd.  
50 Kaki Bukit Place  
Singapore 415926  
Singapore  
Phone: +65 6741 9600  
info@zeiss.com.sg

**South Africa**

Carl Zeiss (Pty.) Ltd.  
363 Oak Avenue  
Ferndale  
Randburg 2194  
South Africa  
Phone: +27 11 886 9510  
info@zeiss.co.za

**South Korea**

Carl Zeiss Co. Ltd.  
Seoul 121-828  
Mapo-gu  
141-1, Sangsu-dong  
2F, BR Elitel Bldg.  
South Korea  
Phone: +82 2 3140 2600  
korea@zeiss.co.kr

**Spain**

Carl Zeiss Meditec Iberia S.A.U.  
Ronda de Poniente, 15  
Tres Cantos  
28760 Madrid  
Spain  
Phone: +34 91 203 37 00  
info@zeiss.es

**Sweden**

Carl Zeiss AB  
Tegeludsvaegen 76  
10254 Stockholm  
Sweden  
Phone: +46 84 59 25 00  
info@zeiss.se

**Switzerland**

Carl Zeiss AG  
Feldbachstrasse 81  
8714 Feldbach  
Switzerland  
Phone: +41 55 254 72 00  
med@zeiss.ch

**Thailand**

Carl Zeiss Thailand  
90 CyberWorld Tower A,  
36<sup>th</sup> Floor, Unit A 3601  
230 Ratchadapisek Road  
Huaykhwang, Bangkok 10310  
Thailand  
Phone: +66 2 248 8787  
thailand@zeiss.com.sg

**United Kingdom**

Carl Zeiss Ltd.  
509 Coldhams lane  
Cambridge  
CAMBS  
CB1 3JS,  
United Kingdom  
Phone: +44 1707 871200  
info@zeiss.co.uk

**United States of America**

Carl Zeiss Meditec, Inc.  
5160 Hacienda Drive  
Dublin, CA 94568  
USA  
Phone: +1 925 557 4100  
info@meditec.zeiss.com



**Carl Zeiss Meditec AG**

Goeschwitzer Strasse 51–52

07745 Jena

Germany

www.meditec.zeiss.com

www.meditec.zeiss.com/contacts

EN\_30\_010\_00961 SUR.4576 Printed in Germany AW-CZ-1/2013 Pto  
OPMI VISU is a registered trademark of Carl Zeiss. The contents of the brochure may differ from the current status of approval of the product in your country. Please contact our regional representative for more information. Subject to change in design and scope of delivery and as a result of ongoing technical development. Printed on elemental chlorine-free bleached paper. © 2013 by Carl Zeiss Meditec AG. All copyrights reserved.